

300 Watt LED Shoebox Area Light | 48000 Lumens | 10 Year Warranty | 5000K



Product Details
 SKU: MLLG-LED-SBH02-300-50 Web ID: 1763
 300 Watt shoebox - parking lot fixture produces 48000 lumens at 160 lumens/watt and has durable die-cast aluminum housing that is powder coated with strong anti-corrosion performance for years of maintenance-free lighting.
 Available in both Type 3 and Type 5 which are perfect for parking lots. Optional photocell allows for additional energy saving from the LED lights. Our 300w LED parking lot light comes with a No dimmable driver at 100V-277V or 277V-480V. Optional Voltage LED Driver Color Temperature is: 4000K or 5000K. The fixture comes equipped with built-in 10 kVa surge protection. The fixture comes in a dark bronze finish.
 This shoebox fixture can be installed with a wall post or pole mount using the following brackets: Wall or Yoke or Arm or Slip Fitter. All brackets are sold separately. It is also IP65 wet locations rated high impact rating of IK08 and can operate in temperatures ranging from -22 F to 113 F.
 Options
 400K Color Temperature (Special Order)
 277-480V Driver (Special Order)

Product Specifications

Watts:	300	Beam Angle:	Type 5 Standard, Type 3 Optional
Lumens:	48000	Optics:	Polycarbonate Lens
Lumens/Watt:	160	Frequency:	50-60Hz
Replaces:	1000 Watt Metal Halide	Power Factor:	> .92
Color Temp:	4000K 5000K	THD:	< 15%
CR:	70+	Housing:	Die-Cast Aluminum
IP Rating:	IP65	Fixture Color:	Bronze
IK Rating:	IK08	Mount:	Wall Yoke Arm Slip Fitter
Voltage:	100V-277V 277V-480V Optional	EPA Rating:	2.34
Surge Protection:	6KV line-line, 10KV line-earth	Dimensions:	24.61 in L X 11.93 in W X 3.22 in H
Operating Temp:	-22 degF to +113 degF	Cord Length:	5 Feet
Rated Life:	244,000 (L70) hours	Weight:	16.76 lbs
Dimmable:	No	Warranty:	10 years (100-277V) - 5 years (277-480V)

Product Options

Mounting	Photocell	Motion Sensor	Controller
Select an Option Straight Arm Slip Fitter Yoke - Wall	Photocell Kit	Motion Sensor (dims to 10%)	Remote Control

LED LIGHTING SUPPLY View Product Page
20 Foot Above Grade Steel Square Direct Burial Light Pole | 4 Inches Wide



Product Details
 SKU: MLLG-WL-POLE-20-4SQ-DB-BZ-TN Web ID: 2114
 25-Foot Direct Burial Steel Pole 20-foot above grade height 4 inches square 1 1/2 inch steel.
 This 25 foot steel pole is hot-dip galvanized and powder coated architectural bronze in color. Comes with 2 3/8 Tenon.
 Conforms to ASTM-A 500 Grade B. Minimum Yield Strength of 46 000 PSI.
 NO RETURNS OR EXCHANGES ON LIGHT POLES.
 Please be advised that our steel poles are covered solely by a 1-year workmanship warranty which ensures that the poles are free from defects from the manufacturing process such as welds and structural integrity for a period of one year from the date of purchase. This warranty does not cover damage resulting from external factors such as normal wear and tear.

Product Specifications

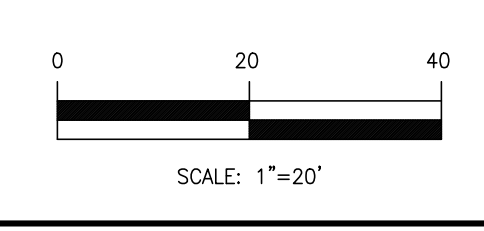
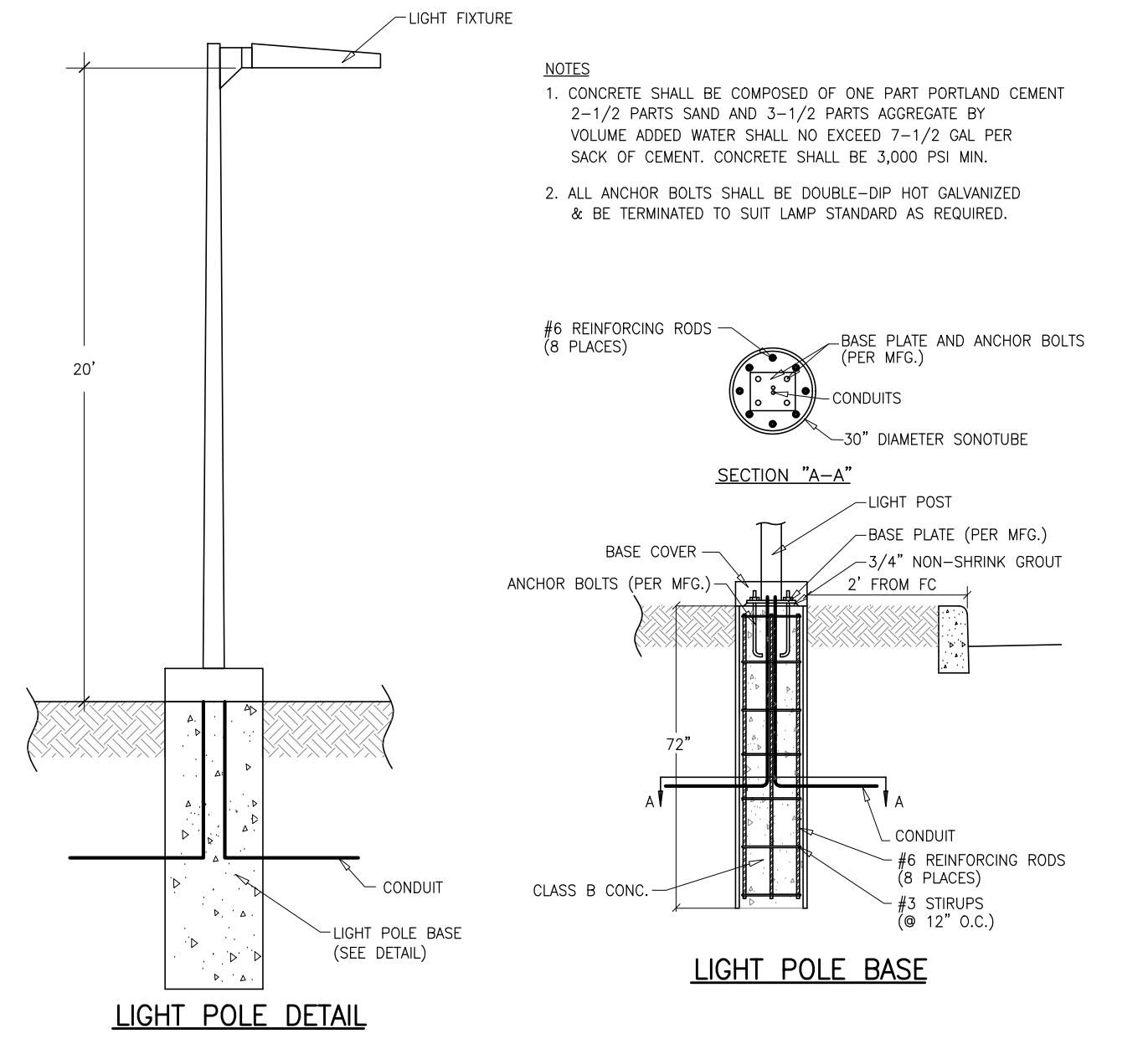
Height:	25 ft	EPA Rating 90 mph:	7.5
Height Above Grade:	20 ft	EPA Rating 100 mph:	6.2
Buried Depth Below Grade:	5 ft	EPA Rating 110 mph:	4.2
Gauge:	11	EPA Rating 120 mph:	3.6
Width:	4 in square	EPA Rating 130 mph:	2.2
Weight:	167 lbs	Warranty:	1 Year
Color:	Architectural Bronze		

Luminaire Schedule

Symbol	Qty	Label	Arrangement	LLF	Total Lamp Lumens
FC	4	MLLG-LED-SBH02-300-5-T3-BS	Single	1.000	32156

Calculation Summary

Label	Units	Avg	Max	Min	Avg/Min	Max/Min
Everywhere	Fc	4.26	26.3	0.0	N.A.	N.A.
Court	Fc	15.01	26.3	5.8	2.59	4.53



NO.	REVISIONS	DATE	BY	CHKD.

SPORTS COURT LIGHTING PLAN

LOT 3.01 PROPOSED DWELLING No. 17 DUCK POND ROAD 120.01

BOROUGH OF DEMAREST BERGEN COUNTY NEW JERSEY

APPLICANT: TOMER EDRY
 17 DUCK POND ROAD
 DEMAREST, NJ 07627

MICHAEL J. HUBSCHMAN P.E., P.P.
 PROFESSIONAL ENGINEER AND PLANNER
 N.J.P.E. NO. 29497 N.J.P.P. NO. 3200

11-7-24

HUBSCHMAN ENGINEERING, P.A.
 ENGINEERS - PLANNERS - SURVEYORS
 263A S. WASHINGTON AVE., BERGENFIELD, NJ 07621
 201-384-5866

DRAWN BY: B.W.
CHCKD BY: M.H.
 SCALE: 1"=20'
DRAWING NO.: 4021.1-7
REV.: